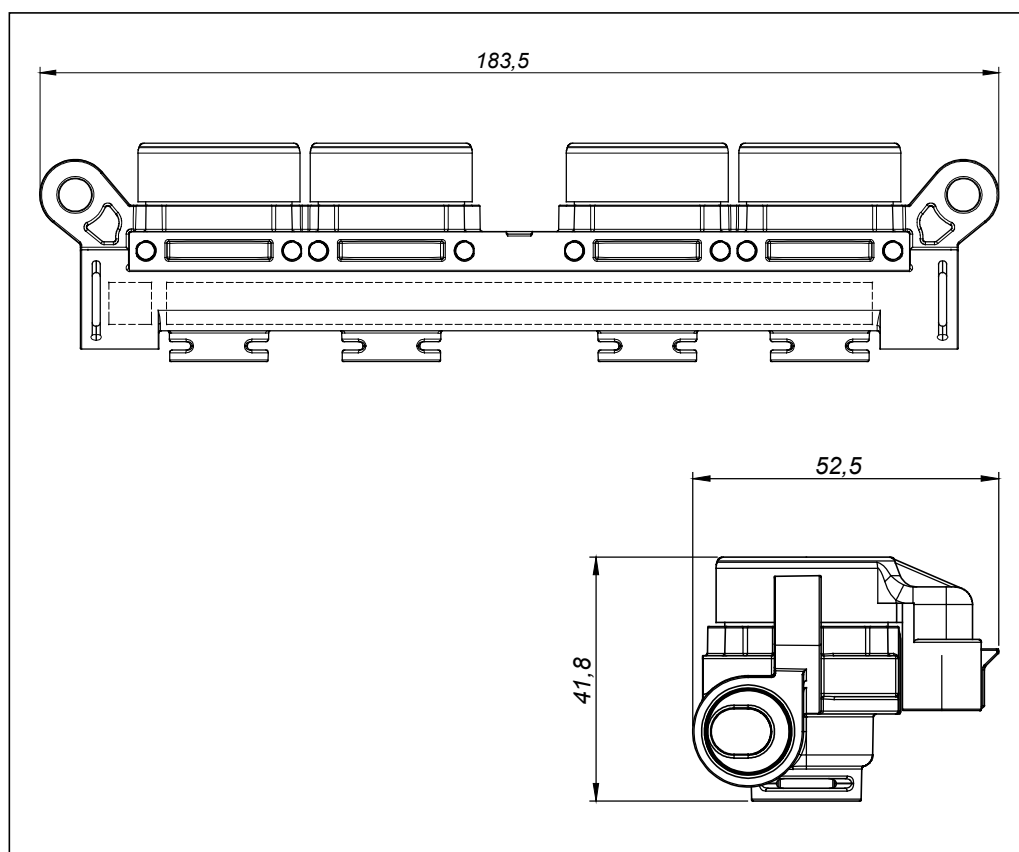


Injectors with plastic case



NOZZLES FOR INJECTORS RAIL

Calibrated nozzles for injector rails with metal casing.
The size of the injectors is indicated by a number. The higher the number, the higher the flow rate.

Calibrated nozzles for injector rails with plastic casing.
The size of the injectors is indicated by a color.

color	size
RED	1.6
YELLOW	1.8
GREEN	2.0
BLACK	2.2
WHITE	2.4
GREY	2.6

To make sure that you install the right size of nozzle, check with the table above and follow the verification procedure.

